



DC COMPONENTS CO., LTD.

DISCRETE SEMICONDUCTORS

BC327

TECHNICAL SPECIFICATIONS OF PNP EPITAXIAL PLANAR TRANSISTOR

Description

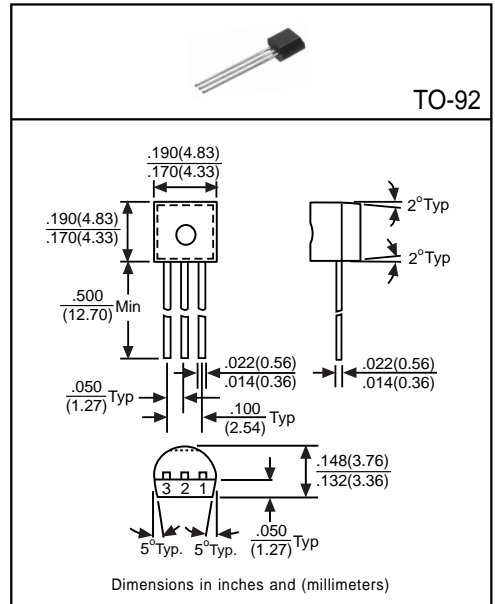
Designed for driver and output stage of audio amplifiers.

Pinning

- 1 = Collector
- 2 = Base
- 3 = Emitter

Absolute Maximum Ratings (TA=25°C)

Characteristic	Symbol	Rating	Unit
Collector-Base Voltage	VCBO	-50	V
Collector-Emitter Voltage	VCEO	-45	V
Emitter-Base Voltage	VEBO	-5	V
Collector Current	IC	-500	mA
Total Power Dissipation	PD	625	mW
Junction Temperature	TJ	+150	°C
Storage Temperature	TSTG	-55 to +150	°C



Electrical Characteristics

(Ratings at 25°C ambient temperature unless otherwise specified)

Characteristic	Symbol	Min	Typ	Max	Unit	Test Conditions
Collector-Base Breakdown Voltage	BV _{CB0}	-50	-	-	V	I _C =-100μA, I _E =0
Collector-Emitter Breakdown Voltage	BV _{CE0}	-45	-	-	V	I _C =-10mA, I _B =0
Emitter-Base Breakdown Voltage	BV _{EB0}	-5	-	-	V	I _E =-100μA, I _C =0
Collector Cutoff Current	I _{CBO}	-	-	-0.1	μA	V _{CB} =-30V, I _E =0
Emitter Cutoff Current	I _{EBO}	-	-	-0.1	μA	V _{EB} =-5V, I _C =0
Collector-Emitter Saturation Voltage ⁽¹⁾	V _{CE(sat)}	-	-	-0.7	V	I _C =-500mA, I _B =-50mA
Base-Emitter On Voltage ⁽¹⁾	V _{BE(on)}	-	-	-1.2	V	V _{CE} =-1V, I _C =-300mA
DC Current Gain ⁽¹⁾	hFE1	100	-	630	-	I _C =-100mA, V _{CE} =-1V
	hFE2	40	-	-	-	I _C =-300mA, V _{CE} =-1V
Transition Frequency	f _T	-	100	-	MHz	I _C =-10mA, V _{CE} =-5V, f=100MHz
Output Capacitance	C _{ob}	-	4	-	pF	V _{CB} =-10V, f=1MHz, I _C =0

(1) Pulse Test: Pulse Width ≤ 380μs, Duty Cycle ≤ 2%

Classification of hFE1

Rank	16	25	40
Range	100~250	160~400	250~630