



TIGER ELECTRONIC CO.,LTD

TO-92 Plastic-Encapsulate Transistors

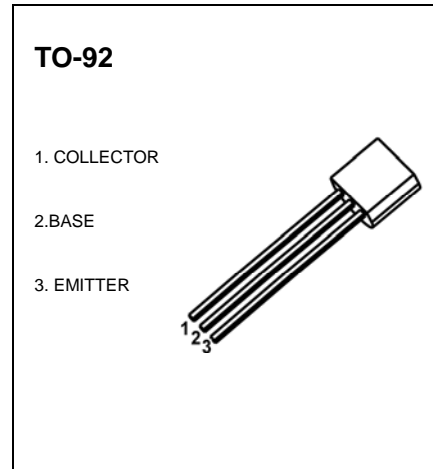
BC327/ BC328 TRANSISTOR (PNP)

FEATURES

- Power dissipation

MAXIMUM RATINGS (T_a=25°C unless otherwise noted)

| Symbol | Parameter | Value | Unit |
|------------------|-------------------------------|---------|------|
| V _{CB0} | Collector-Base Voltage | BC327 | -50 |
| | | BC328 | -30 |
| V _{CEO} | Collector-Emitter Voltage | BC327 | -45 |
| | | BC328 | -25 |
| V _{EBO} | Emitter-Base Voltage | -5 | V |
| I _C | Collector Current -Continuous | -800 | mA |
| P _C | Collector Power Dissipation | 625 | mW |
| T _j | Junction Temperature | 150 | °C |
| T _{stg} | Storage Temperature | -55-150 | °C |



ELECTRICAL CHARACTERISTICS (T_a=25°C unless otherwise specified)

| Parameter | Symbol | Test conditions | Min | Typ | Max | Unit |
|--------------------------------------|----------------------|--|-----|-----|------|------|
| Collector-base breakdown voltage | V _{CB0} | I _C = -100uA, I _E =0 | -50 | | | V |
| BC327 BC328 | | | -30 | | | |
| Collector-emitter breakdown voltage | V _{CEO} | I _C = -10mA, I _B =0 | -45 | | | V |
| BC327 BC328 | | | -25 | | | |
| Emitter-base breakdown voltage | V _{EBO} | I _E = -10uA, I _C =0 | -5 | | | V |
| Collector cut-off current | I _{CBO} | V _{CB} = -45 V, I _E =0 V _{CB} = -25V, I _E =0 | | | -0.1 | uA |
| BC327 BC328 | | | | | | -0.1 |
| Collector cut-off current | I _{CEO} | V _{CE} = -40 V, I _B =0 V _{CE} = -20 V, I _B =0 | | | -0.2 | uA |
| BC327 BC328 | | | | | | -0.2 |
| Emitter cut-off current | I _{EBO} | V _{EB} = -4 V, I _C =0 | | | -0.1 | uA |
| DC current gain | h _{FE(1)} | V _{CE} =-1 V, I _C = -100mA | 100 | | 630 | |
| | h _{FE(2)} | V _{CE} =-1 V, I _C = -300mA | 40 | | | |
| Collector-emitter saturation voltage | V _{CE(sat)} | I _C =-500mA, I _B = -50mA | | | -0.7 | V |
| Base-emitter saturation voltage | V _{BE(sat)} | I _C = -500mA, I _B =-50mA | | | -1.2 | V |
| Base-emitter voltage | V _{BE} | V _{CE} =-1 V, I _C = -300mA | | | -1.2 | V |
| Transition frequency | f _T | V _{CE} = -5V, I _C = -10mA f = 100MHz | 260 | | | MHz |
| Collector Output Capacitance | Cob | V _{CB} =-10V, I _E =0 f=1MHZ | | 12 | | pF |

CLASSIFICATION OF h_{FE}

| Rank | 16 | 25 | 40 |
|-------|---------|---------|---------|
| Range | 100-250 | 160-400 | 250-630 |